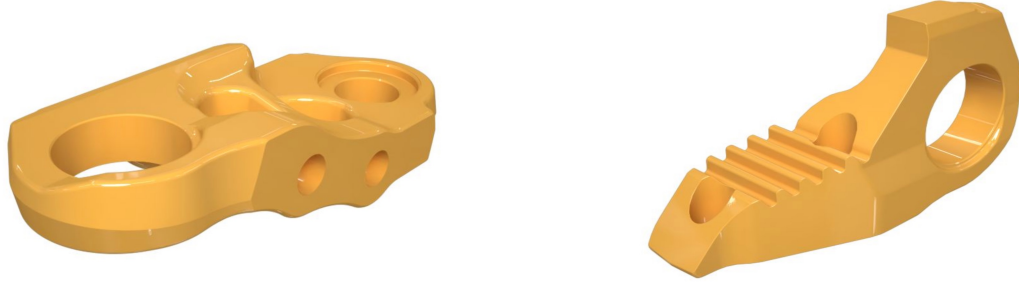
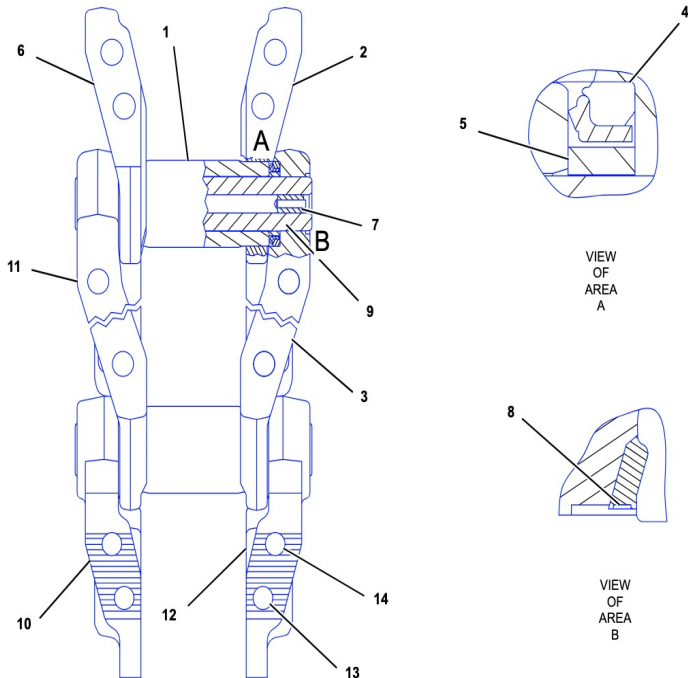


**Main specification parameter for bulldozer track link**

Brand	Model	Product Name	Part Number	Assembly Quantity	Weight
Caterpillar	D11R	track link	5263005	2	3144 kg



**Product Details**



Product Name	track link
Part Number	5263005
Origin	United States
Brand Name	STONE
Model	D11R
Price	Negotiable
Packing Details	Standard Export Packing
Delivery Time	0-30 Days
Payment Term	L/C, T/T
Price Term	FOB, CIF, CFR
Supply Capacity	50,000 PCS/Month
Minimum Order Quantity	1 PC
Material	High Quality Steel
Technology	Precision Machining
Surface	Treatment Anti-Corrosion Coating
Quality	Original Factory Standard
Warranty Time	12 Months or 2000 Hours
After-Sales Service	Full Support, Online Service
Color	Standard Caterpillar Yellow or Customizable
Application	Bulldozer
Customizable	including customized materials, surface treatment and specifications

# bulldozer track link

5263005

Track-Type Tractor > Track-Type Tractor > D11R > 8ZR

仪表盘 零件 维修 故障排除

8ZR1-UP  
215-7678  
履带链节组件  
8ZR1-UP  
236-5823  
密封组 -Track  
8ZR1-UP  
**526-3005  
履带链节组件  
8ZR1-UP**  
较低级部件  
143-1283  
履带链节组件  
8ZR1-UP  
126-5347  
履带链节组件  
8ZR1-UP  
126-5347  
履带链节组件  
8ZR1-UP  
161-9854  
履带链节组件  
8ZR1-UP  
密封件和衬套总成

零件号	零件名称	数量必需
1 524-9628	履带主链节 (LH)	1
2 6T-8049	履带链节 (RH)	40
3 6T-8050	履带链节 (LH)	40
4 6Y-0454 CCR	止动块组件	41
(EACH INCLUDES)		
↳ 6Y-0473 CCR	透明螺塞	1
↳ 7G-4332 CCR	止动块	1

## STONE: Construction machinery parts expert in China



We are committed to providing a variety of parts including bulldozers, excavators and wheel loaders for well-known brands such as Carter and Komatsu. Our product line covers a full range of OEM parts, such as Track Chain, Track Rollers, Sprocket, Excavator Buckets, Blades, Excavator Cylinders, Swing Circles, and various electrical and hydraulic components to ensure that our customers' stringent requirements for quality and performance are met.



Stone (Shanghai) Engineering Machinery Co., Ltd. is a leading supplier of engineering machinery parts, focusing on providing high-quality parts for mining companies. Since its establishment in 2004, we have been based in Shanghai, China, and have built our own brand STONE, becoming a trusted choice in the industry.